

NOTES:

1. INSTALLATION SHALL COMPLY WITH ALL APPLICABLE NATIONAL AND LOCAL CODES.
2. PLEASE REFER TO PRODUCT MANUALS FOR ADDITIONAL DETAILS.
3. UNLESS OTHERWISE SPECIFIED, ALL DIMENSIONS ARE IN MILLIMETERS [INCHES].
4. PROPER SIZING OF CONDUIT HOLES TO BE PERFORMED BY OTHERS.
5. APPROXIMATE UNIT WEIGHT IS 362 kg [798 LBS].
6. MOVING/RIGGING: BY USING FORKLIFT ON PALLET, OR ROPES HAVE TO BE FIXED AT PALLET AND UPPER UNIT EDGES, USING WOODEN LATHS OR METAL BRACKETS, UNIT IN UPRIGHT POSITION.

THIS DRAWING AND SPECIFICATIONS HEREIN ARE THE PROPERTY OF AMERICAN POWER CONVERSION AND SHALL NOT BE COPIED, REPRODUCED OR USED IN WHOLE OR IN PART, AS THE BASIS FOR THE MANUFACTURE OR SALE OF ITEMS WITHOUT WRITTEN PERMISSION FROM APC. THIS DRAWING IS BASED UPON LATEST AVAILABLE INFORMATION AND IS SUBJECT TO CHANGE WITHOUT NOTICE.



TITLE:

InRoom CHILLED WATER
MODEL SIZE: 1400MM
DOWNFLOW UNIT
FRONT AND SIDE VIEWS

PROJECT: SUBMITTAL DRAWINGS SHEET 1 OF 3

DWG NO:

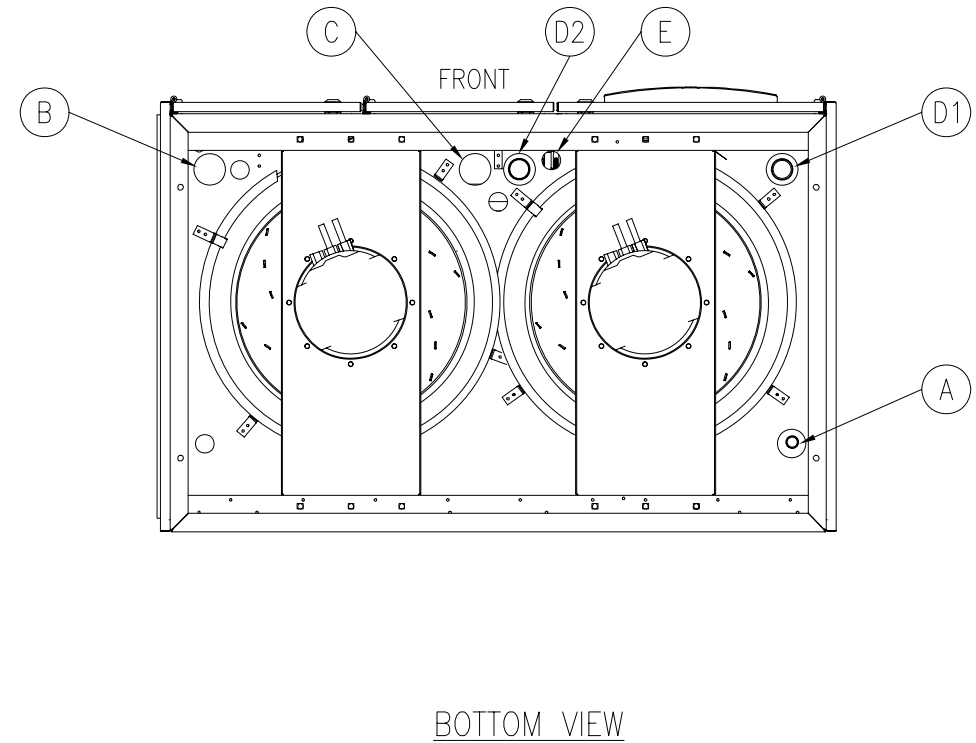
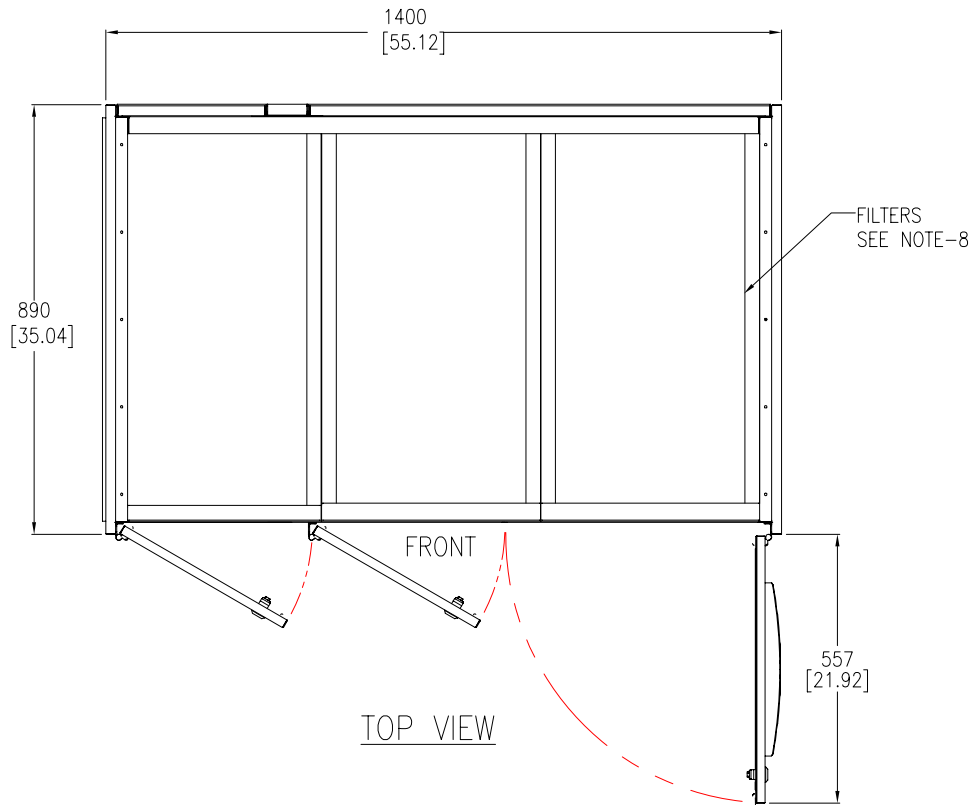
PCW660D

DRAWN: BALAMURUGAN	04-FEB-09
ENGINEER: T.SCHUCH/S.TOPUZ	04-FEB-09
APPROVED: C.Cummiskey/A.Kukla/C.Zaldívar	04-FEB-09

REV.

1

ANGLE:
PROJECTION:
N.A



FIELD CONNECTIONS:

- (A) CONDENSATE DRAIN - 1" NPT CONNECTION (STANDARD)-SEE NOTE 7.
- (B) HUMIDIFIER WATER SUPPLY -1/4" COMPRESSION FITTING - (OPTIONAL)- SEE NOTE 5 & 7.
- (C) POWER WIRE INLET - 0.375" [10mm] PILOT HOLE - SEE NOTE 4.
- (E) CONTROL WIRE INLET - 0.375" [10mm] PILOT HOLE - SEE NOTE 4.
- (D1) CHILLED WATER INLET - 1.625" [42mm] ID, - SEE NOTE 6.
- (D2) CHILLED WATER OUTLET - 1.625" [42mm] ID, - SEE NOTE 6.

NOTES:

1. INSTALLATION SHALL COMPLY WITH ALL APPLICABLE NATIONAL AND LOCAL CODES.
2. PLEASE REFER TO PRODUCT MANUALS FOR ADDITIONAL DETAILS.
3. UNLESS OTHERWISE SPECIFIED, ALL DIMENSIONS ARE IN MILLIMETERS [INCHES].
4. PROPER SIZING OF CONDUIT HOLES TO BE PERFORMED BY OTHERS.
5. ONLY APPLICABLE OPTIONS ARE PIPED.
6. PIPING ENDS INSIDE UNIT WITH UNION SWEAT CONNECTIONS.
7. CONNECTION INSIDE UNIT.
8. ACTUAL FILTER SIZES:
3X=446[17.56] X 836[32.91] X 95[3.75]

THIS DRAWING AND SPECIFICATIONS HEREIN ARE THE PROPERTY OF AMERICAN POWER CONVERSION AND SHALL NOT BE COPIED, REPRODUCED OR USED IN WHOLE OR IN PART, AS THE BASIS FOR THE MANUFACTURE OR SALE OF ITEMS WITHOUT WRITTEN PERMISSION FROM APC. THIS DRAWING IS BASED UPON LATEST AVAILABLE INFORMATION AND IS SUBJECT TO CHANGE WITHOUT NOTICE.



TITLE:

InRoom CHILLED WATER
MODEL SIZE: 1400MM
DOWNFLOW UNIT

PROJECT: SUBMITTAL DRAWINGS SHEET 2 OF 3

DWG NO:

PCW660D

DRAWN: BALAMURUGAN

ENGINEER: T.SCHUCH/S.TOPUZ

APPROVED: C.Cummiskey/A.Kukla/C.Zaldívar

04-FEB-09

04-FEB-09

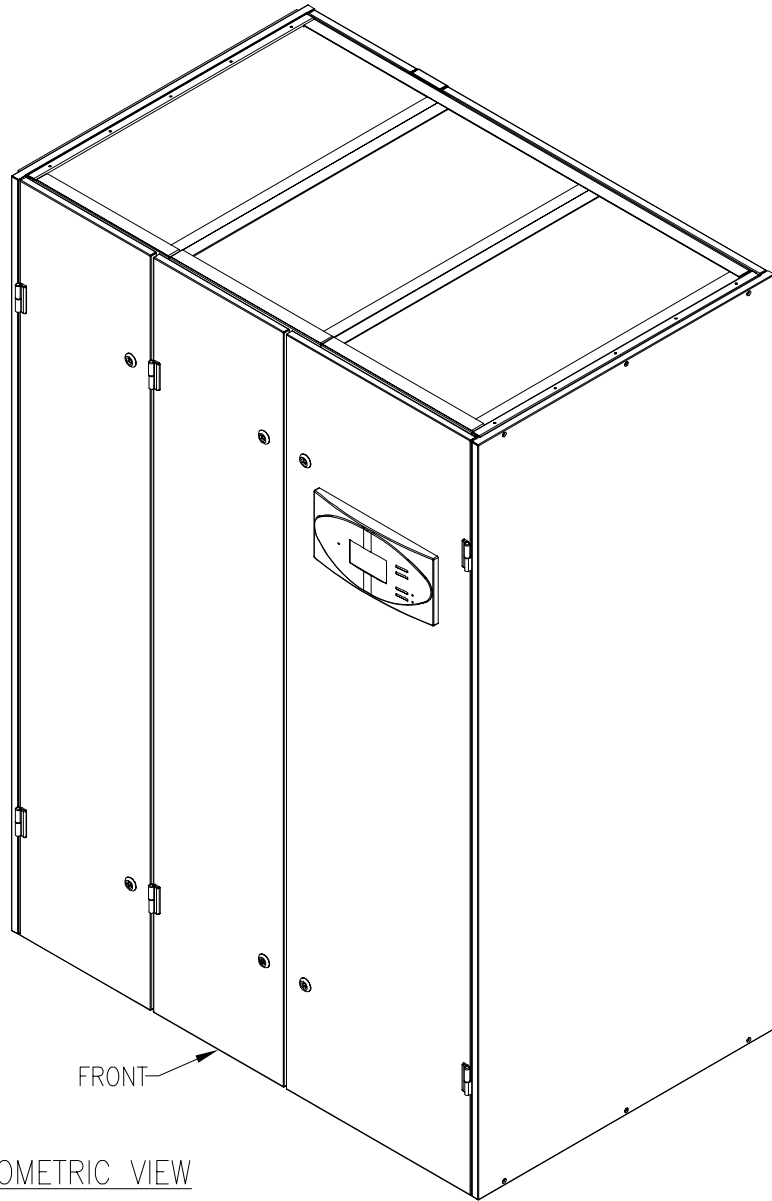
04-FEB-09

REV. 1

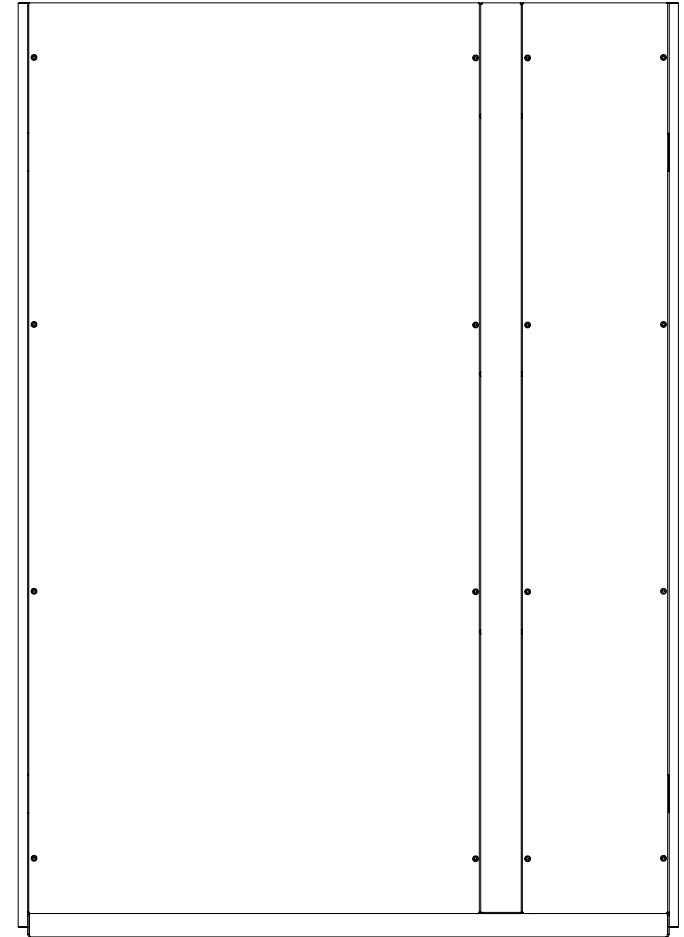
ANGLE

PROJECTION:

N.A



ISOMETRIC VIEW



REAR VIEW

NOTES:

1. INSTALLATION SHALL COMPLY WITH ALL APPLICABLE NATIONAL AND LOCAL CODES.
2. PLEASE REFER TO PRODUCT MANUALS FOR ADDITIONAL DETAILS.

THIS DRAWING AND SPECIFICATIONS HEREIN ARE THE PROPERTY OF AMERICAN POWER CONVERSION AND SHALL NOT BE COPIED, REPRODUCED OR USED IN WHOLE OR IN PART, AS THE BASIS FOR THE MANUFACTURE OR SALE OF ITEMS WITHOUT WRITTEN PERMISSION FROM APC. THIS DRAWING IS BASED UPON LATEST AVAILABLE INFORMATION AND IS SUBJECT TO CHANGE WITHOUT NOTICE.



TITLE:

InRoom CHILLED WATER
MODEL SIZE: 1400MM
DOWNFLOW UNIT
ISOMETRIC AND REAR VIEWS

PROJECT: SUBMITTAL DRAWINGS SHEET 3 OF 3

DWG NO:

PCW660D

DRAWN: BALAMURUGAN

04-FEB-09

ENGINEER: T.SCHUCH/S.TOPUZ

04-FEB-09

APPROVED: C.Cumiskey/A.Kukla/C.Zaldívar

04-FEB-09

REV. 1

ANGLE

PROJECTION:

N.A