

**NOTES:**

1. INSTALLATION SHALL COMPLY WITH ALL APPLICABLE NATIONAL AND LOCAL CODES.
2. PLEASE REFER TO PRODUCT MANUALS FOR ADDITIONAL DETAILS.
3. UNLESS OTHERWISE SPECIFIED, ALL DIMENSIONS ARE IN MILLIMETERS [INCHES].
4. PROPER SIZING OF CONDUIT HOLES TO BE PERFORMED BY OTHERS.
5. ONLY APPLICABLE OPTIONS ARE PIPED.
6. PIPING ENDS INSIDE UNIT WITH UNION SWEAT CONNECTIONS.
7. CONNECTION INSIDE UNIT.
8. ACTUAL FILTER SIZES:  
 1X=795[31.30] X 502[19.76] X 95[3.75]  
 1X=795[31.30] X 341[13.43] X 95[3.75].  
 1X=795[31.30] X 333[13.11] X 95[3.75].
9. APPROXIMATE UNIT WEIGHT IS 362 kg [798 LBS].
10. MOVING/RIGGING: BY USING FORKLIFT ON PALLET.  
 OR ROPES HAVE TO BE FIXED AT PALLET AND UPPER UNIT EDGES,  
 USING WOODEN LATHS OR METAL BRACKETS. UNIT IN UPRIGHT POSITION.

**FIELD CONNECTIONS:**

- (A) CONDENSATE DRAIN – 1" NPT CONNECTION (STANDARD)–SEE NOTE 7.
- (B) HUMIDIFIER WATER SUPPLY –1/4" COMPRESSION FITTING – (OPTIONAL)– SEE NOTE 5 & 7.
- (C) POWER WIRE INLET – 0.375" [10mm] PILOT HOLE – SEE NOTE 4.
- (E) CONTROL WIRE INLET – 0.375" [10mm] PILOT HOLE – SEE NOTE 4.
- (D1) CHILLED WATER INLET – 1.625" [42mm] ID, – SEE NOTE 6.
- (D2) CHILLED WATER OUTLET – 1.625" [42mm] ID, – SEE NOTE 6.

THIS DRAWING AND SPECIFICATIONS HEREIN ARE THE PROPERTY OF AMERICAN POWER CONVERSION AND SHALL NOT BE COPIED, REPRODUCED OR USED IN WHOLE OR IN PART, AS THE BASIS FOR THE MANUFACTURE OR SALE OF ITEMS WITHOUT WRITTEN PERMISSION FROM APC. THIS DRAWING IS BASED UPON LATEST AVAILABLE INFORMATION AND IS SUBJECT TO CHANGE WITHOUT NOTICE.

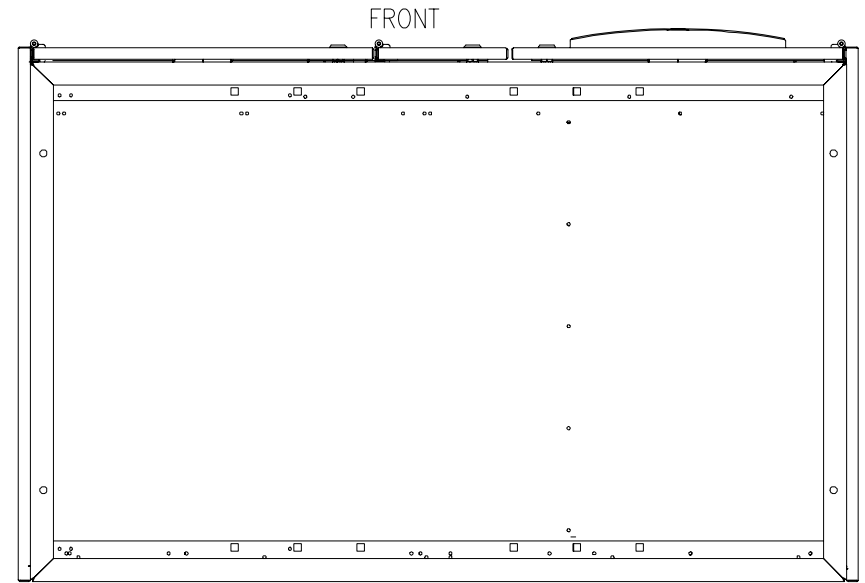
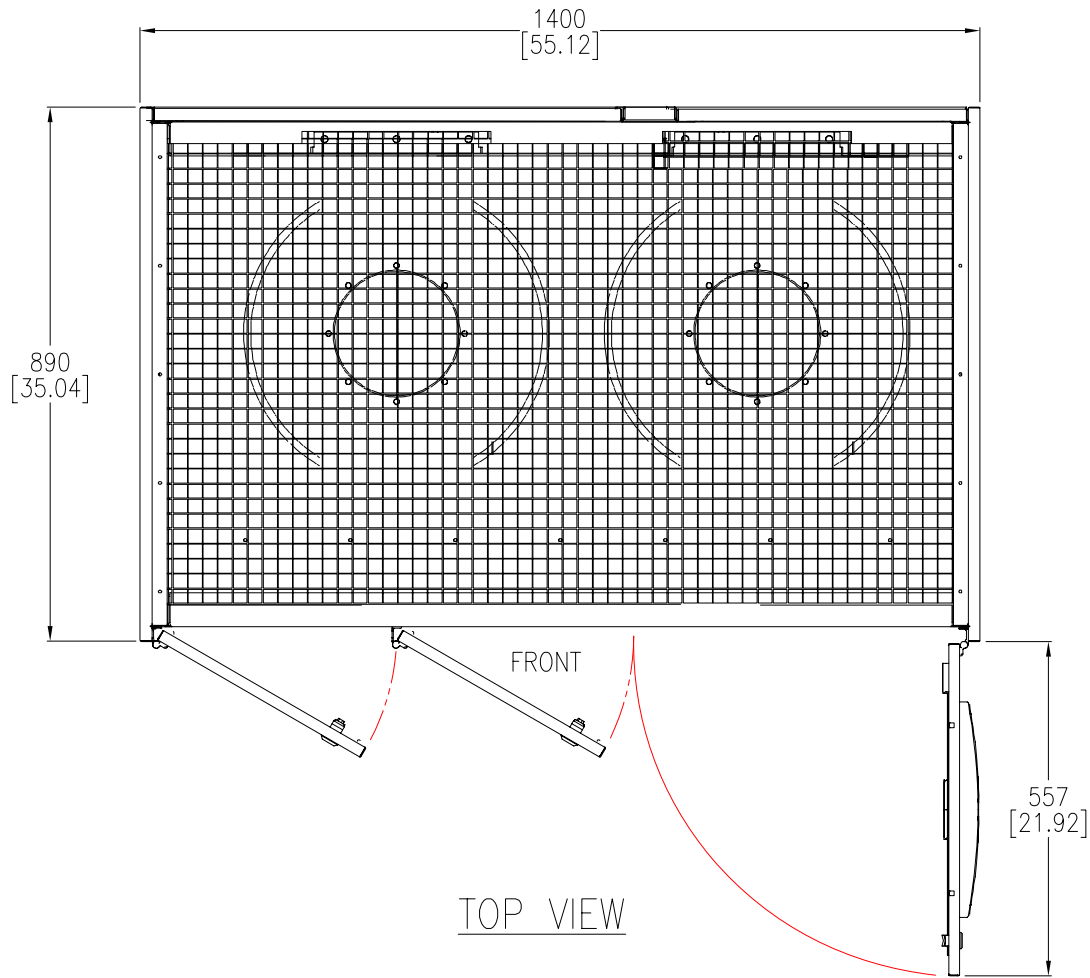


TITLE:  
 InRoom CHILLED WATER  
 MODEL SIZE: 1400mm  
 UPFLOW UNIT  
 FRONT AND SIDE VIEWS

PROJECT: SUBMITTAL DRAWINGS SHEET 1 OF 3

DWG NO: **PCW660U**  
 DRAWN: BALAMURUGAN 04-FEB-09  
 ENGINEER: T.SCHUCH/S.TOPUZ 04-FEB-09  
 APPROVED: C.Cummiskey/A.Kukla/C.Zaldívar 04-FEB-09

REV. **0**  
 ANGLE  
 PROJECTION:  
 N.A



NOTES:

1. INSTALLATION SHALL COMPLY WITH ALL APPLICABLE NATIONAL AND LOCAL CODES.
2. PLEASE REFER TO PRODUCT MANUALS FOR ADDITIONAL DETAILS.
3. UNLESS OTHERWISE SPECIFIED, ALL DIMENSIONS ARE IN MILLIMETERS [INCHES].

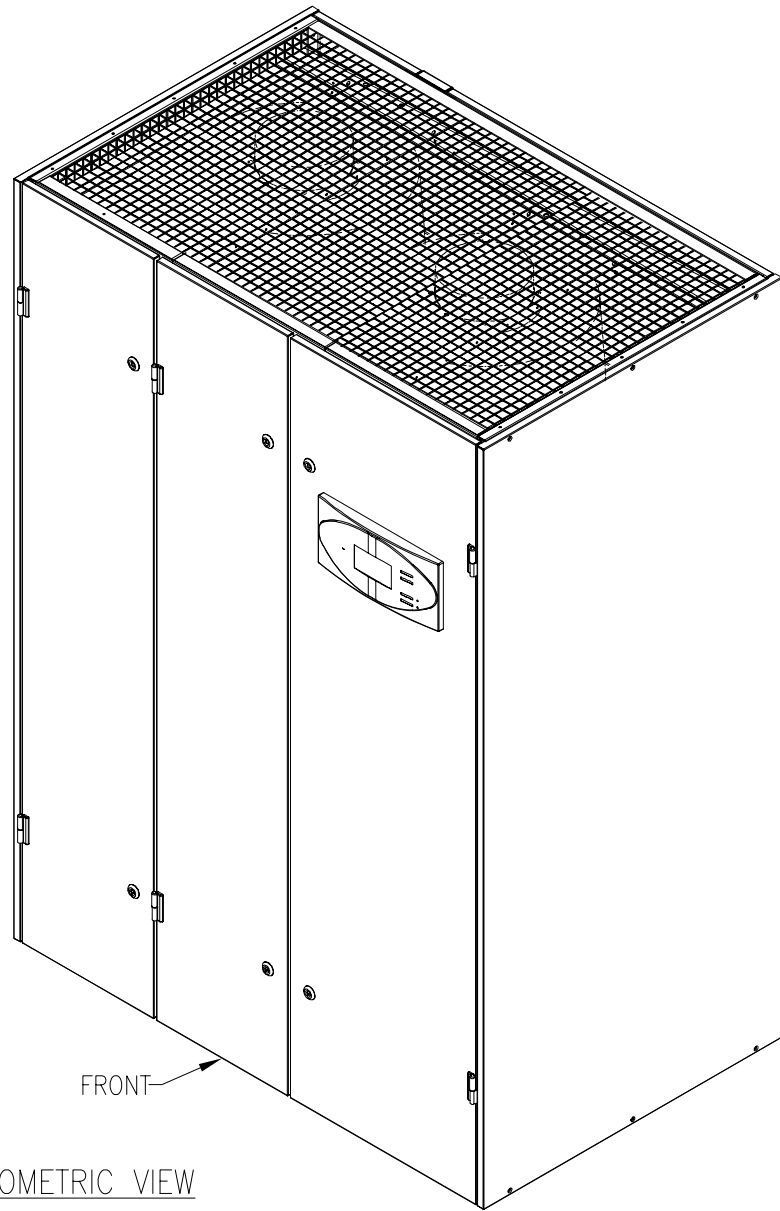
THIS DRAWING AND SPECIFICATIONS HEREIN ARE THE PROPERTY OF AMERICAN POWER CONVERSION AND SHALL NOT BE COPIED, REPRODUCED OR USED IN WHOLE OR IN PART, AS THE BASIS FOR THE MANUFACTURE OR SALE OF ITEMS WITHOUT WRITTEN PERMISSION FROM APC. THIS DRAWING IS BASED UPON LATEST AVAILABLE INFORMATION AND IS SUBJECT TO CHANGE WITHOUT NOTICE.



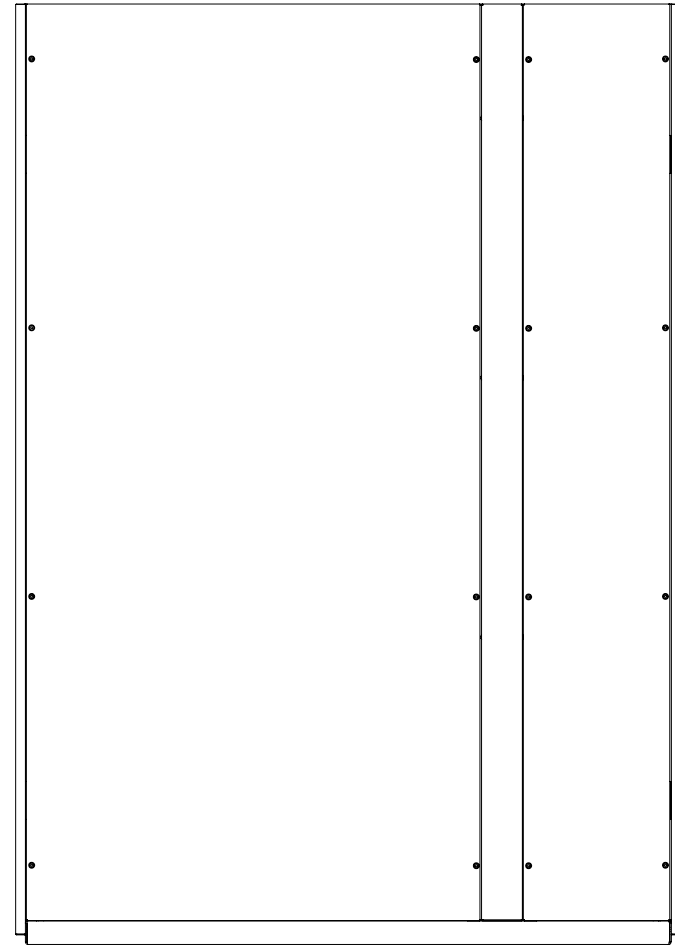
TITLE:  
InRoom CHILLED WATER  
MODEL SIZE: 1400mm  
UPFLOW UNIT  
TOP AND BOTTOM VIEWS

PROJECT: SUBMITTAL DRAWINGS SHEET 2 OF 3

DWG NO:	PCW660U	REV:	0
DRAWN:	BALAMURUGAN	DATE:	04-FEB-09
ENGINEER:	T.SCHUCH/S.TOPUZ	DATE:	04-FEB-09
APPROVED:	C.Cumiskey/A.Kukla/C.Zaldívar	DATE:	04-FEB-09
ANGLE:			N.A
PROJECTION:			N.A



ISOMETRIC VIEW



REAR VIEW

NOTES:

1. INSTALLATION SHALL COMPLY WITH ALL APPLICABLE NATIONAL AND LOCAL CODES.
2. PLEASE REFER TO PRODUCT MANUALS FOR ADDITIONAL DETAILS.

THIS DRAWING AND SPECIFICATIONS HEREIN ARE THE PROPERTY OF AMERICAN POWER CONVERSION AND SHALL NOT BE COPIED, REPRODUCED OR USED IN WHOLE OR IN PART, AS THE BASIS FOR THE MANUFACTURE OR SALE OF ITEMS WITHOUT WRITTEN PERMISSION FROM APC. THIS DRAWING IS BASED UPON LATEST AVAILABLE INFORMATION AND IS SUBJECT TO CHANGE WITHOUT NOTICE.



TITLE:  
InRoom CHILLED WATER  
MODEL SIZE: 1400mm  
UPFLOW UNIT  
ISOMETRIC AND REAR VIEWS

PROJECT: SUBMITTAL DRAWINGS SHEET 3 OF 3

DWG NO:	PCW660U	REV:	0
DRAWN:	BALAMURUGAN	DATE:	04-FEB-09
ENGINEER:	T.SCHUCH/S.TOPUZ	DATE:	04-FEB-09
APPROVED:	C.Cummiskey/A.Kukla/C.Zaldívar	DATE:	04-FEB-09
ANGLE:		PROJECTION:	N.A